

135" All in One LED Display Solutions



135BDL6015IA



Pros.

- ✓ **All-in-One integrated System**
- ✓ **Easy operation, Ready to Use**
- ✓ **LED-COB**
- ✓ **Philips UI/Wave/SICP**
- ✓ **Auto Motorized lift and Foldable**
- ✓ **Anti-pinch**
- ✓ **Emergency stop button**
- ✓ **ESG Design for Standby power <0.5W**
- ✓ **ESG Design for Packing material (ESG)**
- ✓ **Logistic and elevator capable**



Education&Corp.



Entertainment



Event



Gallery



Hospitality

LED-COB advantage

Contrast Ratio: 5000:1

Viewing Angle: >160/160

High refresh rate: 3840hz

Calibration: Color and Brightness

Brightness Uniformity: $\geq 95\%$

Black screen power saving: Yes



LED-COB advantage

Water-resistant and dust-resistant

Can be directly wiped clean

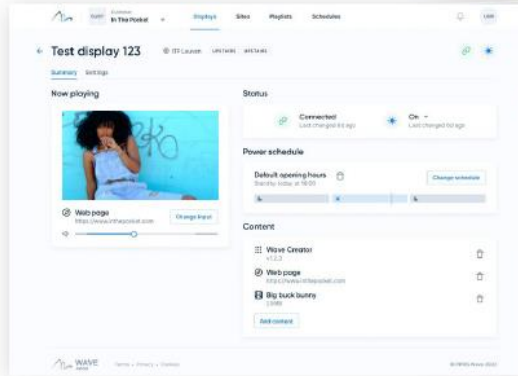
Easy to clean and maintain

Bump-resistant

ESD-resistant



Android, Wave, SICP...



Focus on daily tasks
Our display detail brings critical information to the forefront.



Front



Stand

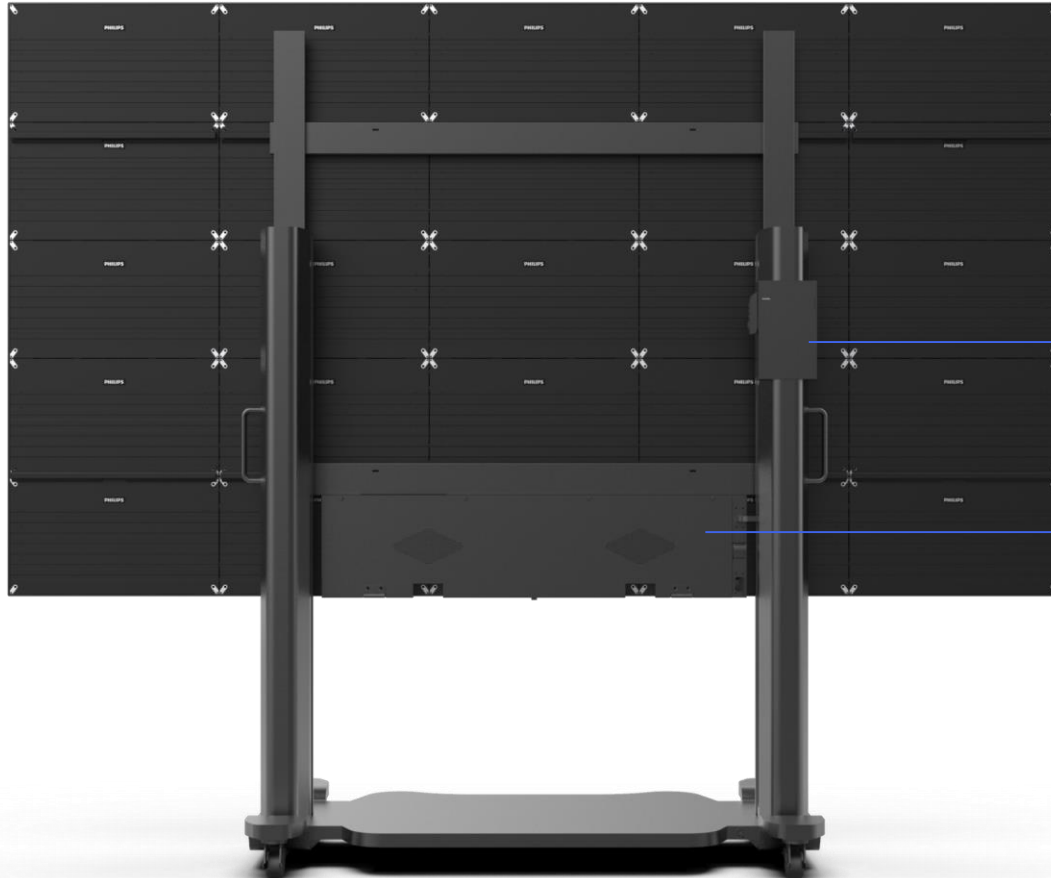
Black / Metal / Painted Matte

Base

Black / Metal / Painted Matte

Back

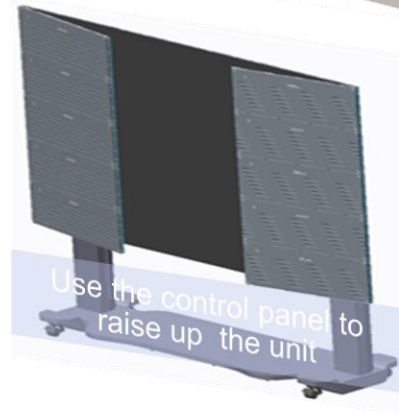
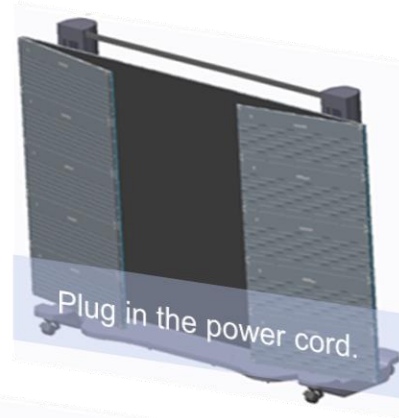
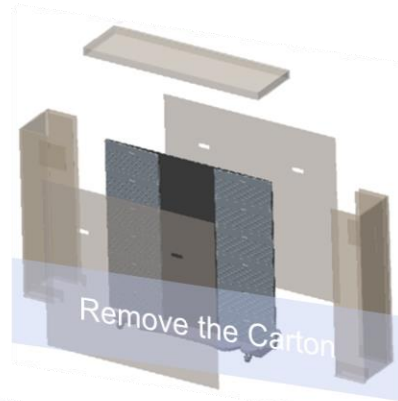
PPDS



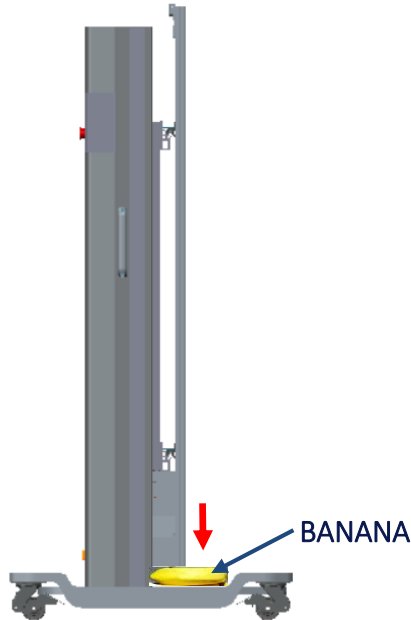
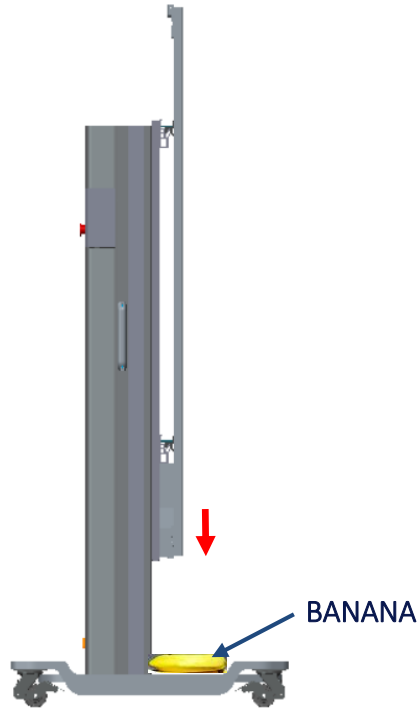
Control Box
Black / Metal / Painted Matte

Rear Cover
Black / Metal / Painted Matte

Auto Motorized lift and Foldable



Anti-pinch feature



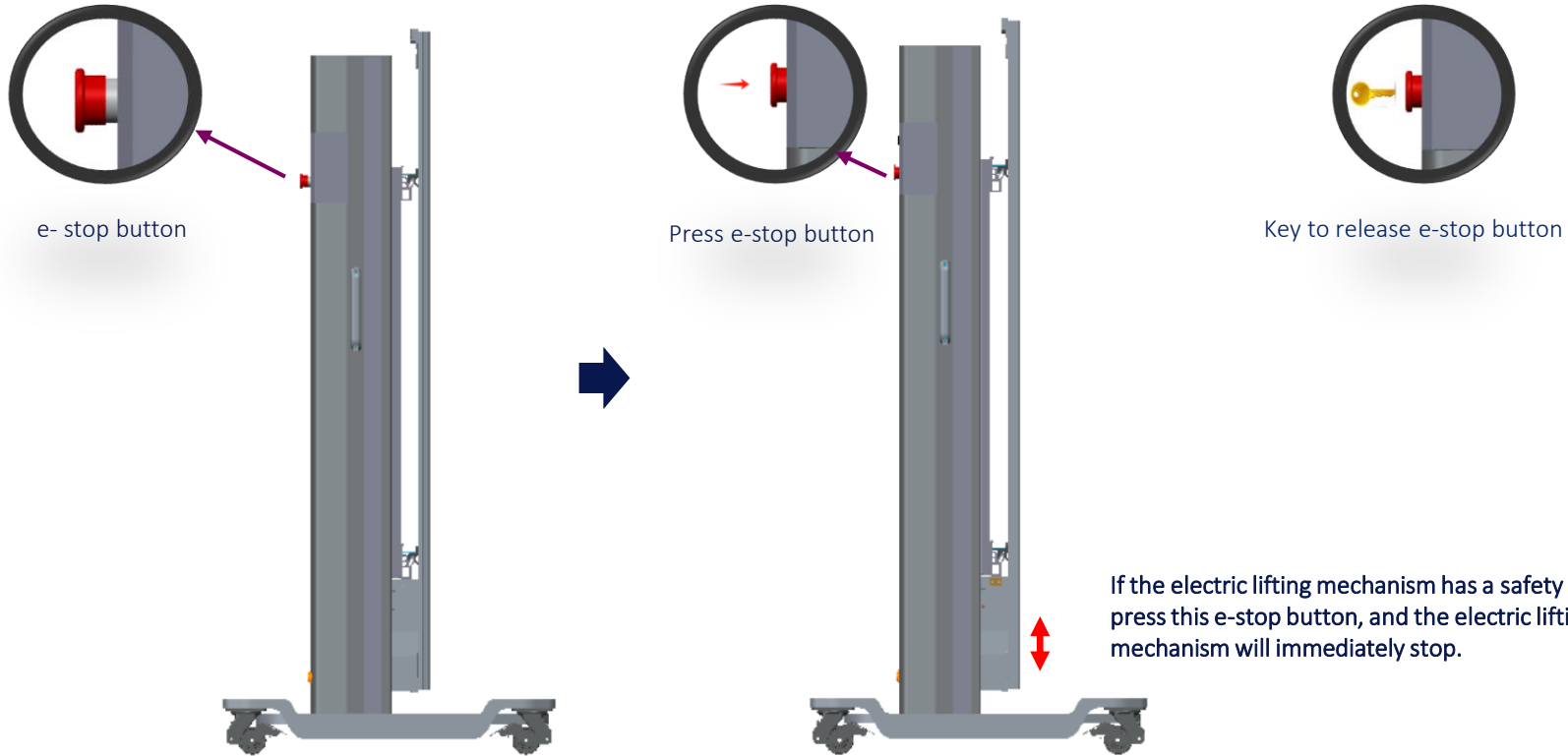
LED display won't crash by hard thing if anti-pinch feature is on.

video



When descending and touching the banana, it rebounds about 10mm upwards and stops, with a pressure of approximately 16N, without damaging the banana.

Emergency stop button



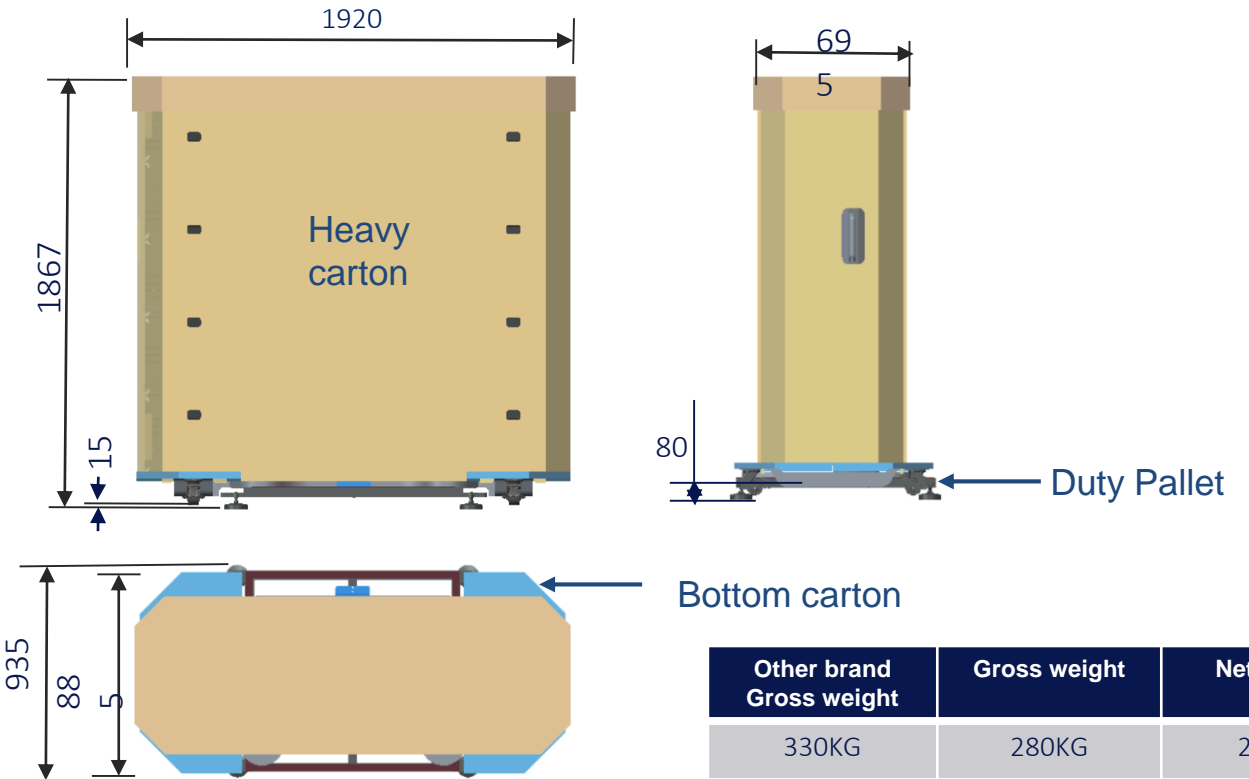
If the electric lifting mechanism has a safety fault, press this e-stop button, and the electric lifting mechanism will immediately stop.

ESG design for Standby Power <0.5W



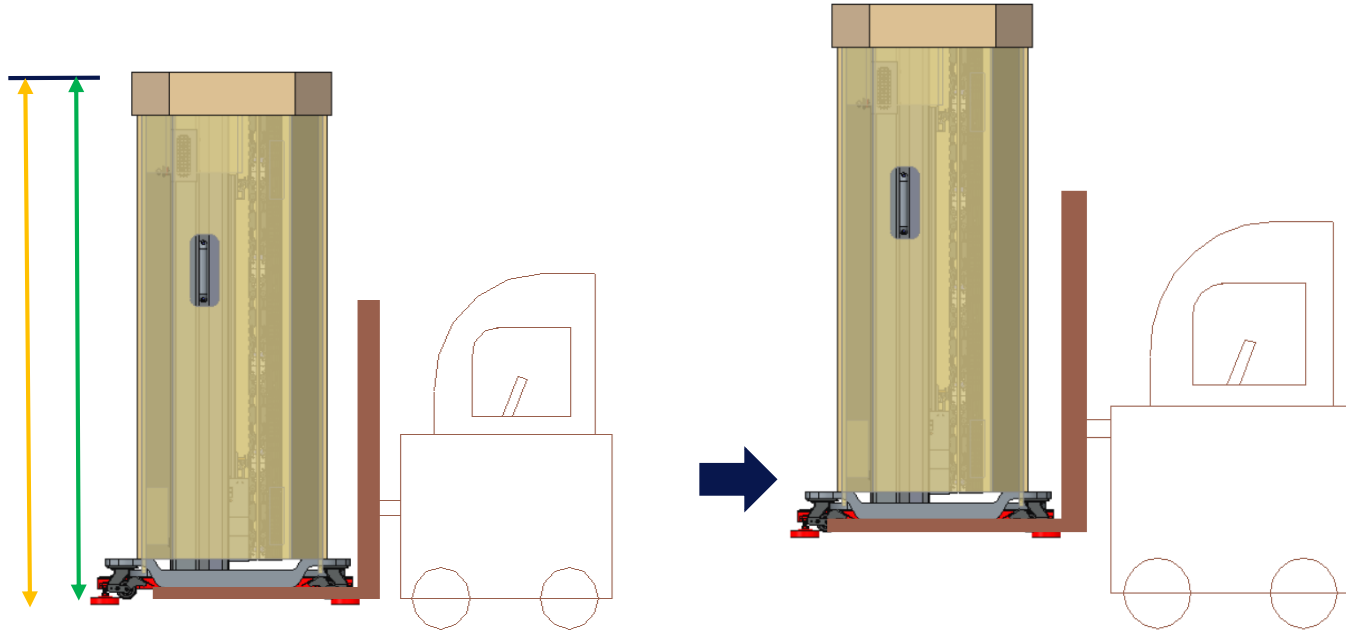
Measured standby power consumption (entire screen + control part + electric lifting mechanism part) < 0.5W

ESG Design for Packing material



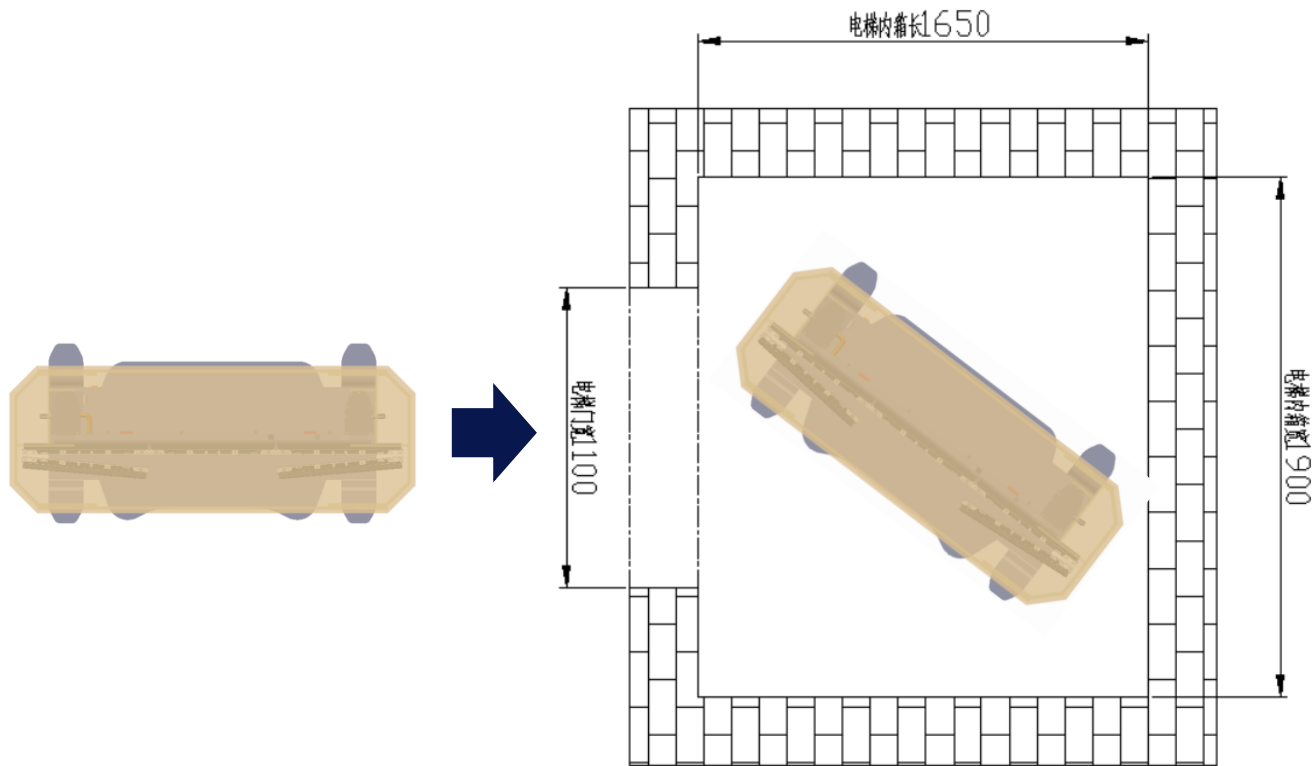
Other brand Gross weight	Gross weight	Net weight
330KG	280KG	249KG

Logistic Guide



Forklift is required from factory to warehouse.

Logistic _ elevator capable



Top view of 135" with packaging in the elevator



Powering Evolution

ppds.com